

# HANDRAIL STANDARDS



FROM: COMPANY: DATE:  
 TO: REF: DATE:

PLEASE TICK APPROPRIATE BOXES AND FILL IN RELEVANT DIMENSIONS

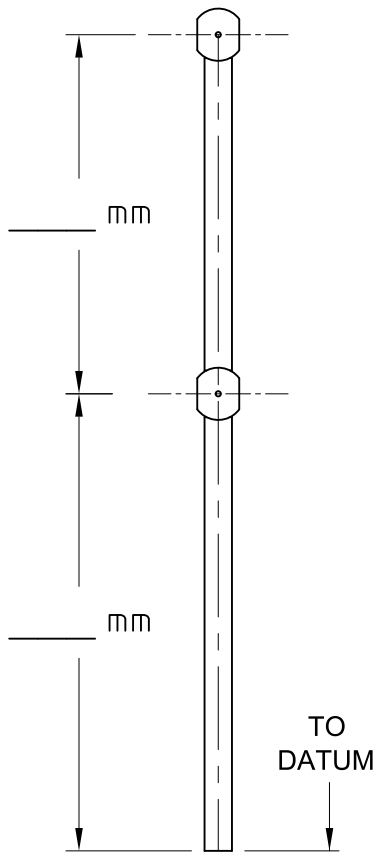
SHANK (VERTICAL)	BALL DIAMETER (O/DIA)	HANDRAIL	FINISH
25 NB <input type="checkbox"/>	63 MM <input type="checkbox"/>	25 NB <input type="checkbox"/>	SELF COLOUR <input type="checkbox"/>
32 NB <input type="checkbox"/>	75 MM <input type="checkbox"/>	32 NB <input type="checkbox"/>	GALVANISED <input type="checkbox"/>
40 NB <input type="checkbox"/>	90 MM <input type="checkbox"/>	40 NB <input type="checkbox"/>	OTHER (SPECIFY) <input type="checkbox"/>

25NB = 33.7 O/D X 3.0mm WALL

32NB = 42.4 O/D X 3.0mm WALL

40NB = 48.3 O/D X 3.0mm WALL

## HORIZONTAL STANDARD

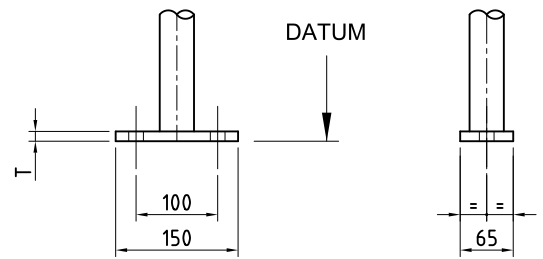


NUMBER REQUIRED \_\_\_\_\_

ALL STANDARDS ARE PRE-VENTED AND ARE SUPPLIED COMPLETE WITH GRUB SCREWS

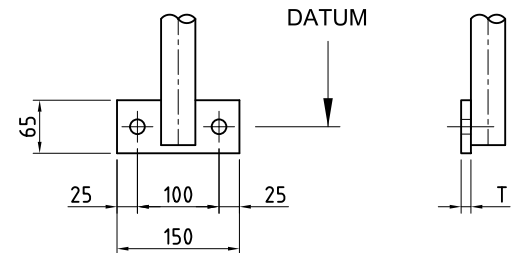
## TYPES OF BASE

### RECTANGULAR FLAT BASE



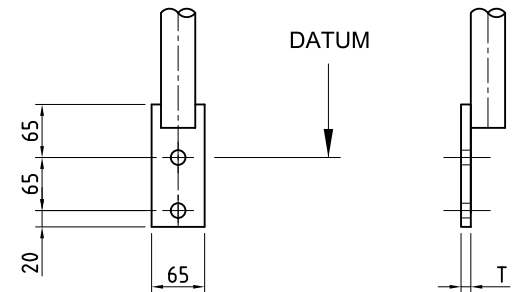
ALL HOLES Ø18mm U.O.S

### HORIZONTAL SIDE PALM



ALL HOLES Ø18mm U.O.S

### LONG SIDE PALM



ALL HOLES Ø18mm U.O.S

### NO BASE REQUIRED - STICK ONLY

BASE THICKNESS 'T'  12mm  15mm

COMMENTS: