

OPEN MESH STAIR TREADS



FROM:
TO:

COMPANY:
REF:

DATE:

PLEASE TICK APPROPRIATE BOXES AND FILL IN RELEVANT DIMENSIONS

NUMBER REQUIRED _____

LOAD BEARING BAR SECTION
 25x3 25x5
 30x3 30x5
 35x3 35x5
 40x3 40x5
 OTHER (SPECIFY)

BAR ARRANGEMENT
 41/100
 34/100
 30/100
 OTHER (SPECIFY)

LOAD BARS
 PLAIN TOP
 SERRATED TOP

FINISH
 SELF COLOUR
 GALVANISED
 OTHER (SPECIFY)

LENGTH (DIM 'A') _____ mm

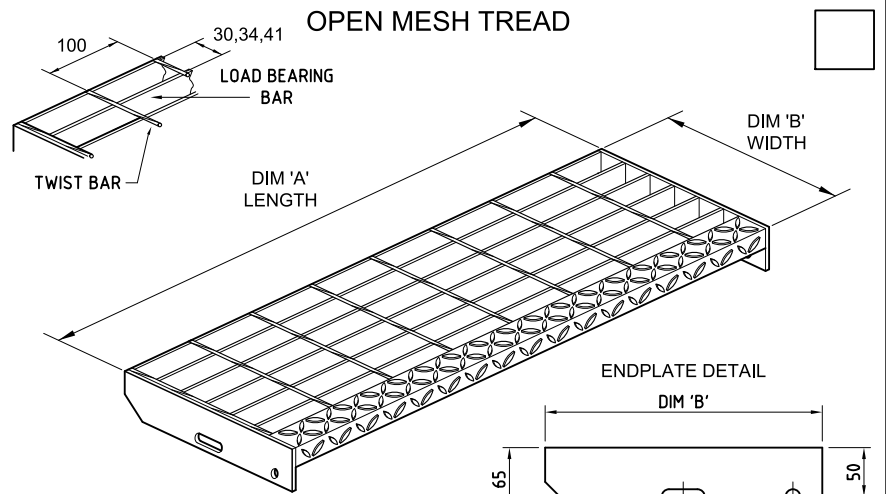
WIDTH (DIM 'B') _____ mm

OPEN MESH TREAD
 ENDPLATE HOLE CENTRES

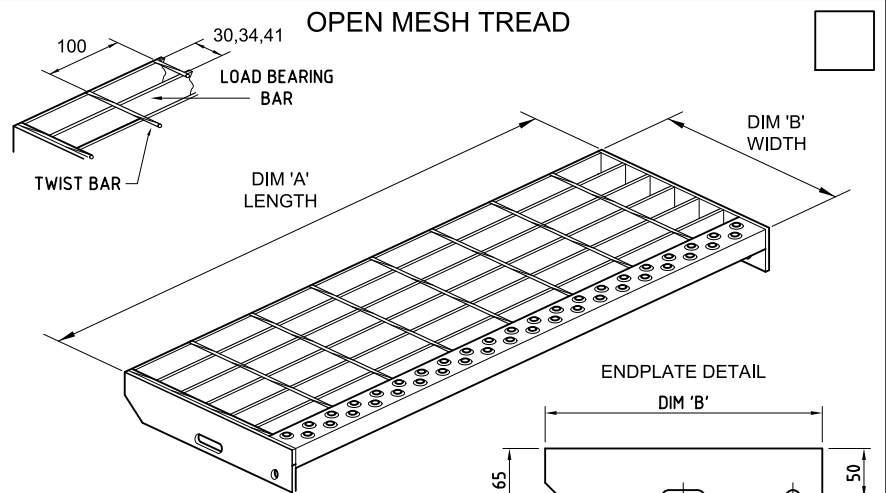
DIM 'C'
 100mm 112mm 125mm

LADDER TREAD ONLY
 ENDPLATE HOLE CENTRES

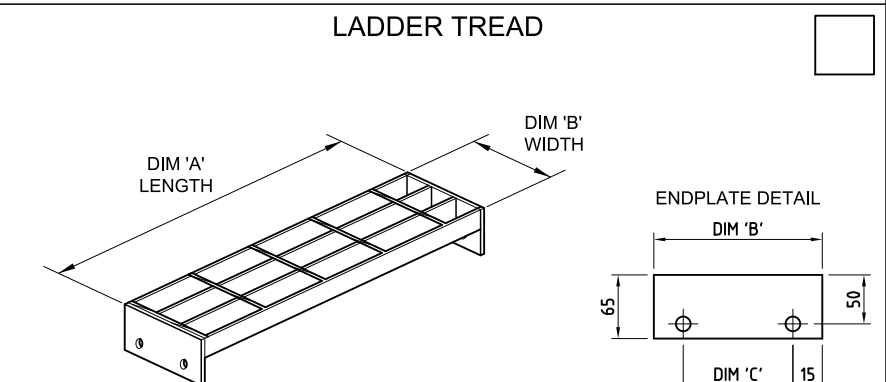
DIM 'C'
 50mm 75mm



DURBAR NOSING



OCTOPUS NOSING



COMMENTS: