

GATE HINGE KIT



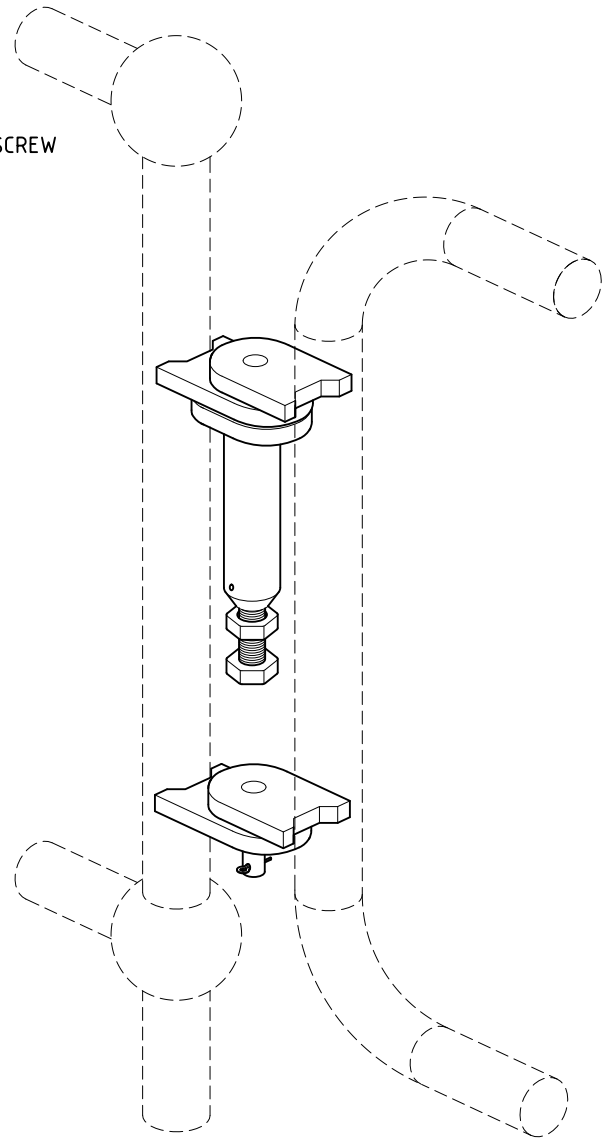
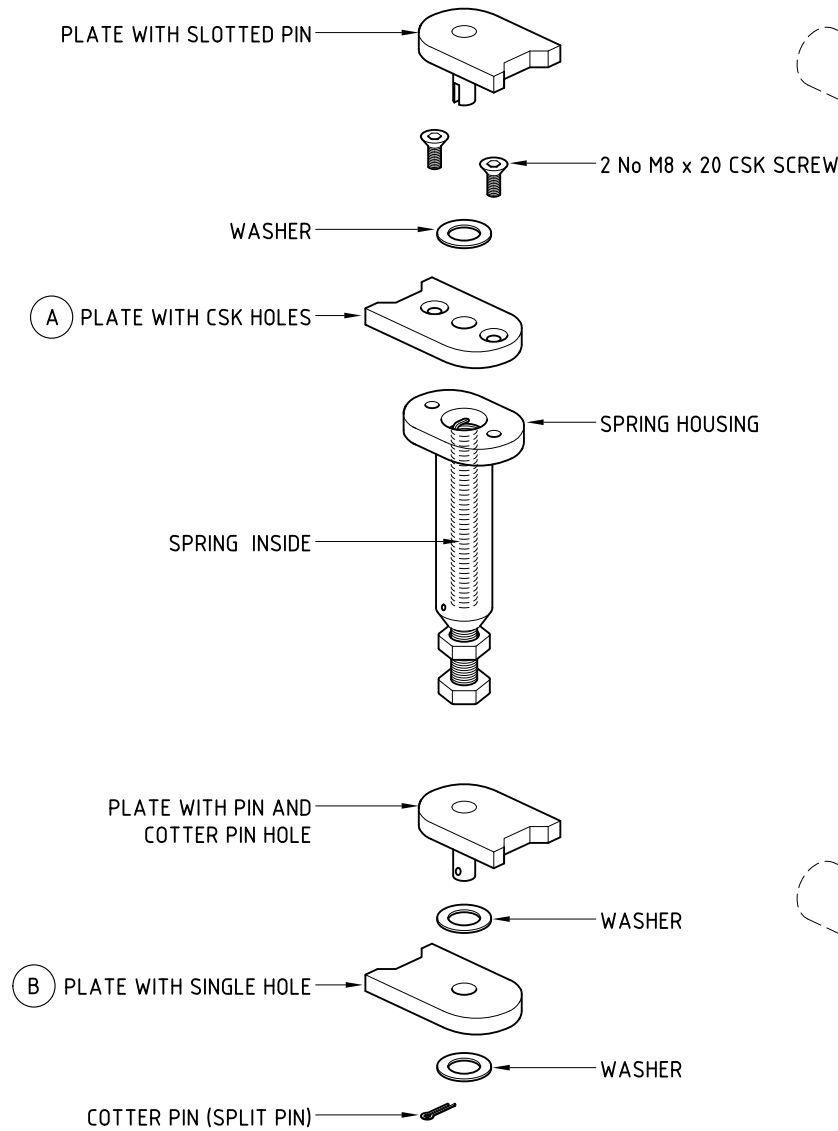
FROM:
TO:

COMPANY:
REF:

DATE:

STANDARD INFORMATION SHEET

WELD ON GATE HINGE KIT



GATE HINGE KIT - CONTENTS

NOTE:
ITEMS 'A' AND 'B' ARE
AVAILABLE WITH FLAT
ENDS FOR WELDING
TO LADDERS, ETC

GATE HINGE KIT - ASSEMBLED

TYPICAL COMPLETED
ASSEMBLY WHEN FITTED
TO A HANDRAIL STANDARD

COMMENTS: