

# SOLID WELDED - RAKED



FROM: COMPANY:  
TO: REF: DATE:

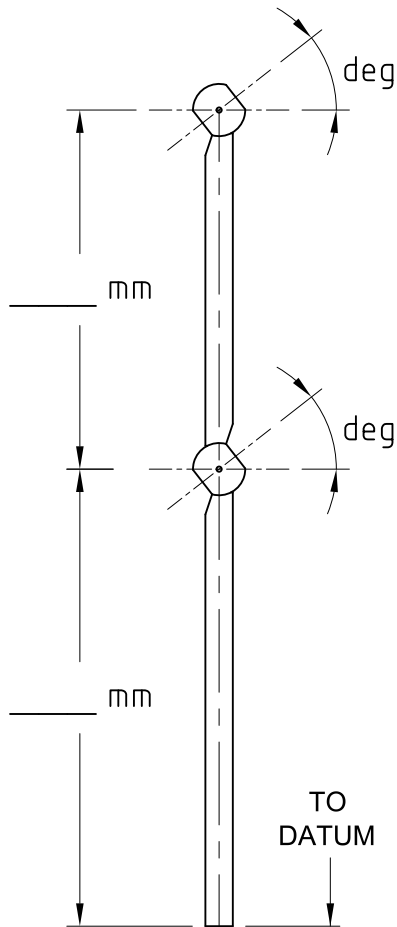
PLEASE TICK APPROPRIATE BOXES AND FILL IN RELEVANT DIMENSIONS

SHANK (VERTICAL) 32 DIA SOLID <input type="checkbox"/> 38 DIA SOLID <input type="checkbox"/>	BALL DIAMETER (O/DIA) 60 MM SOLID <input type="checkbox"/> 70 MM SOLID <input type="checkbox"/>	HANDRAIL 25 NB <input type="checkbox"/> 32 NB <input type="checkbox"/>	FINISH SELF COLOUR <input type="checkbox"/> GALVANISED <input type="checkbox"/> OTHER (SPECIFY) <input type="checkbox"/>
--	---	--	---

25NB = 33.7 O/D X 3.0mm WALL

32NB = 42.4 O/D X 3.0mm WALL

## RAKING STANDARD

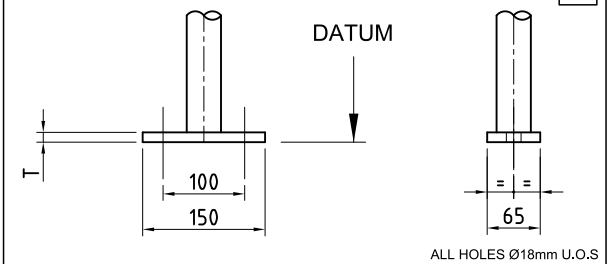


NUMBER REQUIRED \_\_\_\_\_  
 RAKED AT \_\_\_\_\_ DEGREES  
 (WHEN APPLICABLE)  
 NUMBER LEFT HAND \_\_\_\_\_  
 NUMBER RIGHT HAND \_\_\_\_\_

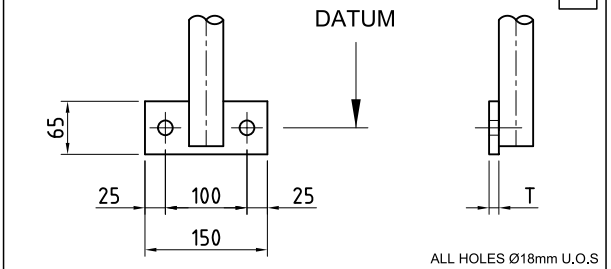
ALL STANDARDS ARE SUPPLIED COMPLETE WITH GRUB SCREWS

## TYPES OF BASE

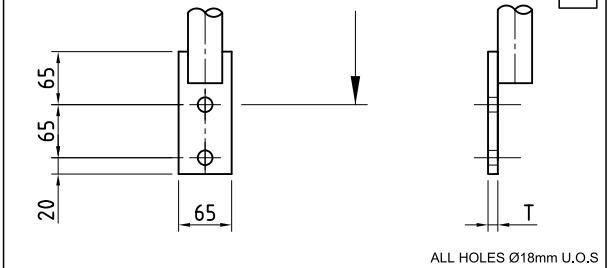
### RECTANGULAR FLAT BASE



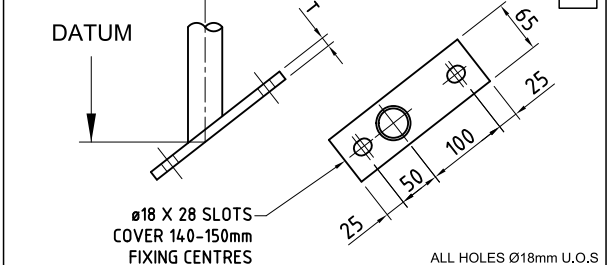
### HORIZONTAL SIDE PALM



### LONG SIDE PALM



### RAKING FLAT BASE



### NO BASE REQUIRED - STICK ONLY

BASE THICKNESS 'T'  12mm  15mm

COMMENTS: