

SPECIAL BASE STANDARDS



FROM: COMPANY: DATE:
 TO: REF: DATE:

PLEASE TICK APPROPRIATE BOXES AND FILL IN RELEVANT DIMENSIONS

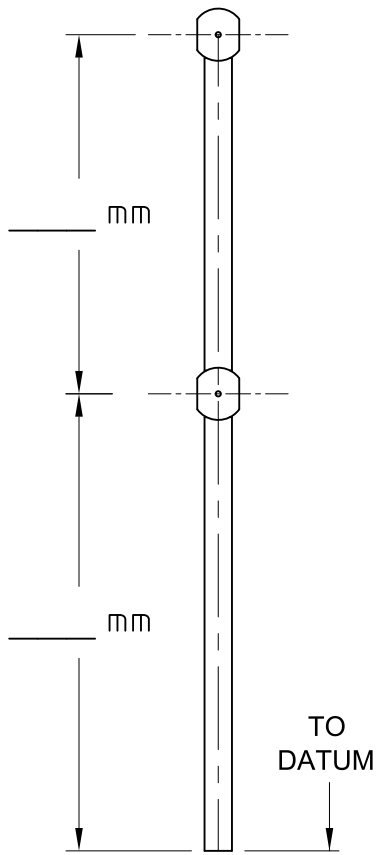
SHANK (VERTICAL)	BALL DIAMETER (O/DIA)	HANDRAIL	FINISH
25 NB <input type="checkbox"/>	63 MM <input type="checkbox"/>	25 NB <input type="checkbox"/>	SELF COLOUR <input type="checkbox"/>
32 NB <input type="checkbox"/>	75 MM <input type="checkbox"/>	32 NB <input type="checkbox"/>	GALVANISED <input type="checkbox"/>
40 NB <input type="checkbox"/>	90 MM <input type="checkbox"/>	40 NB <input type="checkbox"/>	OTHER (SPECIFY) <input type="checkbox"/>

25NB = 33.7 O/D X 3.0mm WALL

32NB = 42.4 O/D X 3.0mm WALL

40NB = 48.3 O/D X 3.0mm WALL

HORIZONTAL STANDARD

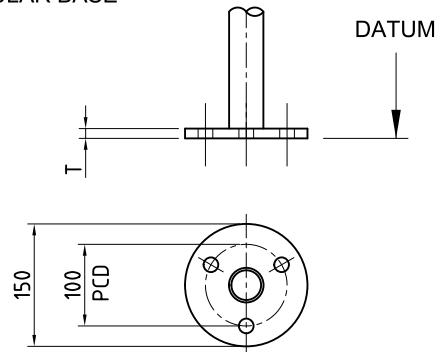


NUMBER REQUIRED _____

ALL STANDARDS ARE PRE-VENTED AND ARE SUPPLIED COMPLETE WITH GRUB SCREWS

TYPES OF BASE

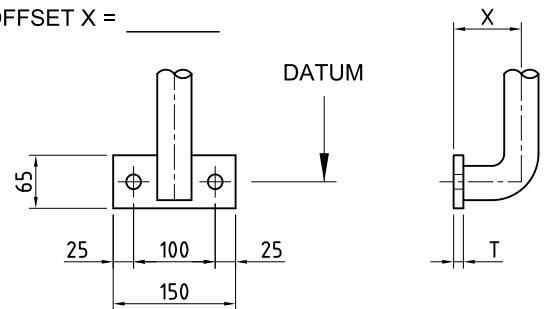
CIRCULAR BASE



ALL HOLES Ø18mm U.O.S

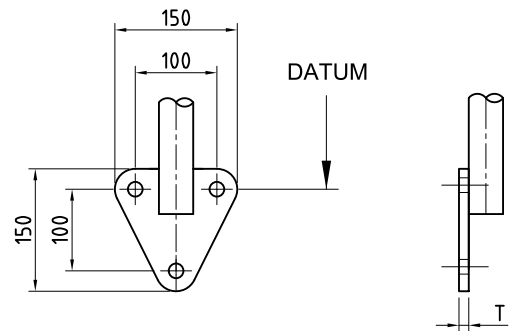
OFFSET SIDE PALM

OFFSET X = _____



ALL HOLES Ø18mm U.O.S

TRIANGULAR SIDE PALM



ALL HOLES Ø18mm U.O.S

NO BASE REQUIRED - STICK ONLY

BASE THICKNESS 'T' 12mm 15mm

COMMENTS: