

# HANDRAIL SECTIONS



FROM: \_\_\_\_\_ COMPANY: \_\_\_\_\_  
 TO: \_\_\_\_\_ REF: \_\_\_\_\_ DATE: \_\_\_\_\_

PLEASE TICK APPROPRIATE BOXES AND FILL IN RELEVANT DIMENSIONS

HANDRAIL  
 25 NB   
 32 NB   
 40 NB

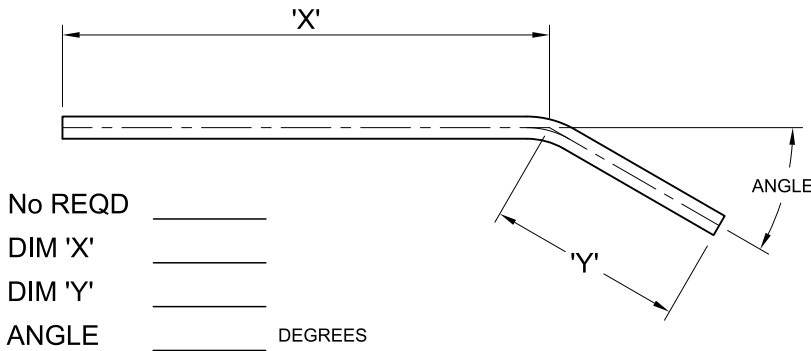
FINISH  
 SELF COLOUR   
 PRE-GALVANISED   
 HOT DIP GALVANISED

25NB = 33.7 O/D X 3.0mm WALL

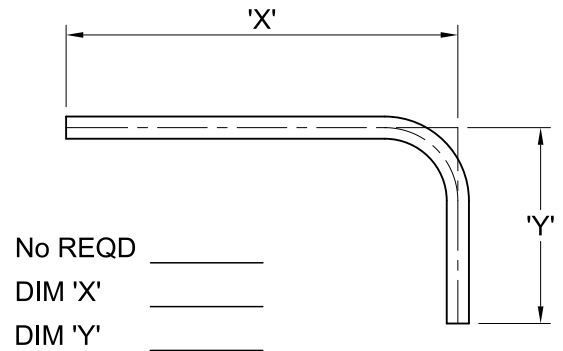
32NB = 42.4 O/D X 3.0mm WALL

40NB = 48.3 O/D X 3.0mm WALL

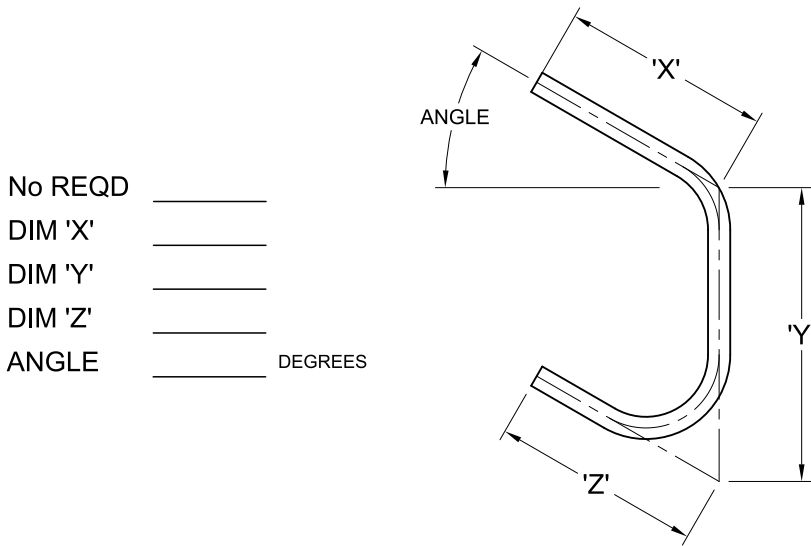
## RAMP BEND



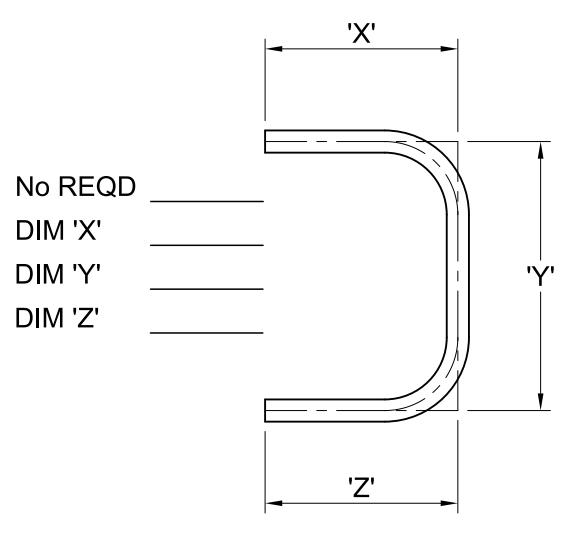
## RIGHT ANGLE BEND



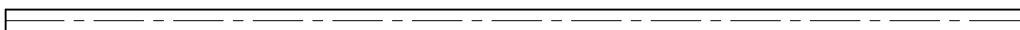
## STAIR RETURN BEND



## RETURN BEND



## 6500mm STRAIGHT LENGTHS



NUMBER REQD \_\_\_\_\_

COMMENTS: