

WREATH BENDS



FROM: _____ COMPANY: _____
 TO: _____ REF: _____ DATE: _____

PLEASE TICK APPROPRIATE BOXES AND FILL IN RELEVANT DIMENSIONS

HANDRAIL

25 NB
 32 NB
 40 NB

FINISH

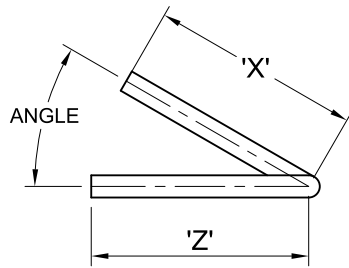
SELF COLOUR
 PRE-GALVANISED
 HOT DIP GALVANISED

25NB = 33.7 O/D X 3.0mm WALL

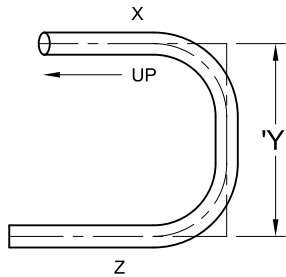
32NB = 42.4 O/D X 3.0mm WALL

40NB = 48.3 O/D X 3.0mm WALL

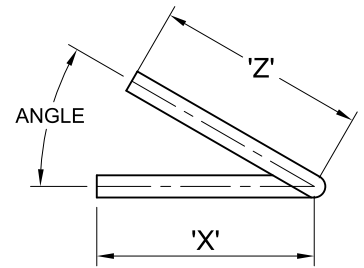
**SIMPLE WREATH
LEFT HAND GOING UP**



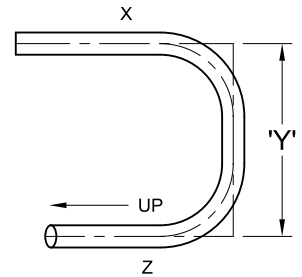
No REQD _____
 DIM 'X' _____
 DIM 'Y' _____
 DIM 'Z' _____
 ANGLE _____ DEGREES



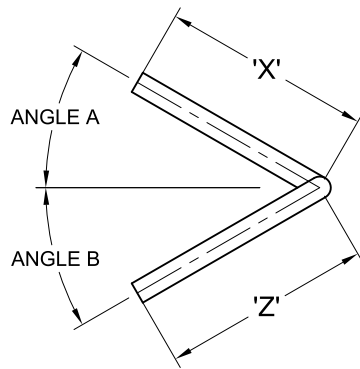
**SIMPLE WREATH
RIGHT HAND GOING UP**



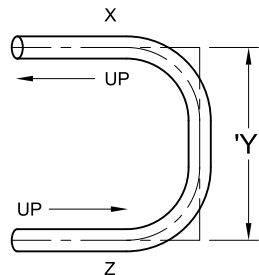
No REQD _____
 DIM 'X' _____
 DIM 'Y' _____
 DIM 'Z' _____
 ANGLE _____ DEGREES



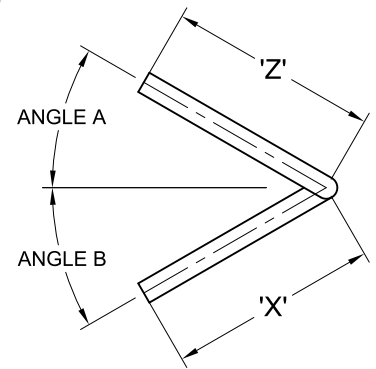
**DUAL FLIGHT
LEFT HAND GOING UP**



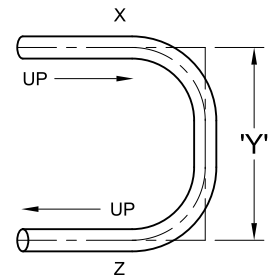
No REQD _____
 DIM 'X' _____
 DIM 'Y' _____
 DIM 'Z' _____
 ANGLE A _____ DEGREES
 ANGLE B _____ DEGREES



**DUAL FLIGHT
RIGHT HAND GOING UP**



No REQD _____
 DIM 'X' _____
 DIM 'Y' _____
 DIM 'Z' _____
 ANGLE A _____ DEGREES
 ANGLE B _____ DEGREES



COMMENTS: